

ABLH



EAC

ANALYSIS LTD

www.analysis-ltd.com.gr

TEMPERATURE SENSOR



APPLICATIONS

- Marine and Industrial applications
- Cooling water and refrigeration plants
- Oil lubrication and hydraulic oil
- Exhaust gas from diesel engines
- Internal combustion engines, compressors and turbines
- Compressors and turbines

FEATURES

- Aluminium die cast head TYPE B or TYPE KS. IP 54 with Cable gland
- Electrical connection with ceramic block
- Available with exchangeable element. Easy exchange of measuring element even while the application is in operation
- Protection sheath material AISI304 or AISI316 with a wide range of diameters
- Protection sheath: tube or solid drilled
- Shock and Vibration Resistance 13.2-100Hz at 0.7g and 25-100Hz at 4.0g

THERMORESISTANCE (RTD) FEATURES

- Reliable and accurate measurement with Thermoresistance (RTD) element
- Sensing element PT100 or PT1000 Class B DIN EN 60751
- Two, three or four wires electrical connection, single or double element
- Measuring temperature range -50C to 200C
- Measuring temperature range -50C to 700C
- Max ambient temperature 90C

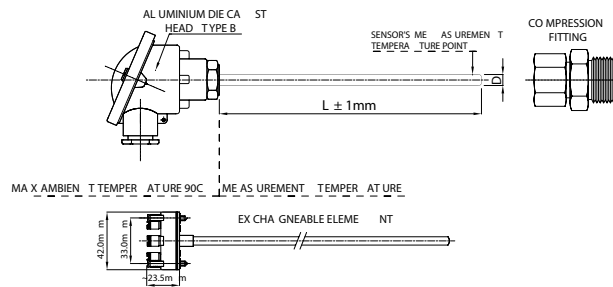
THERMOCOUPLE FEATURES

- Reliable and accurate measurement with thermocouple element, single or double element
- Measuring temperature range 0C to 800C
- Measuring temperature range 0C to 1100C
- Max ambient temperature 90C

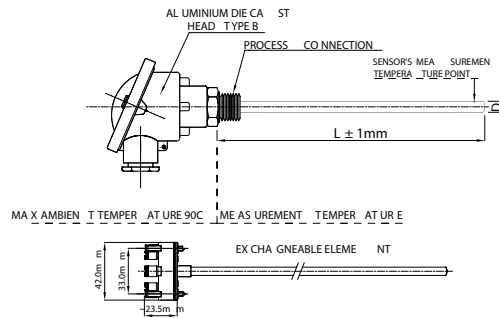




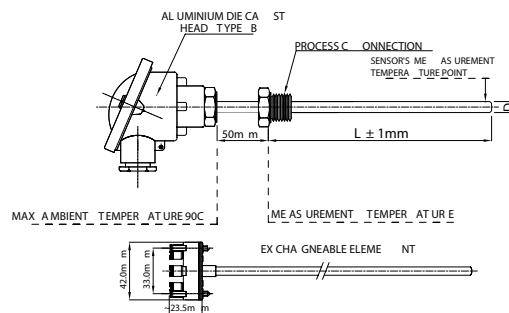
ABLH-A: Aluminium Die Cast Head TYPE B with compression fitting



ABLH-B: Aluminium Die Cast Head TYPE B with process connection on aluminium head

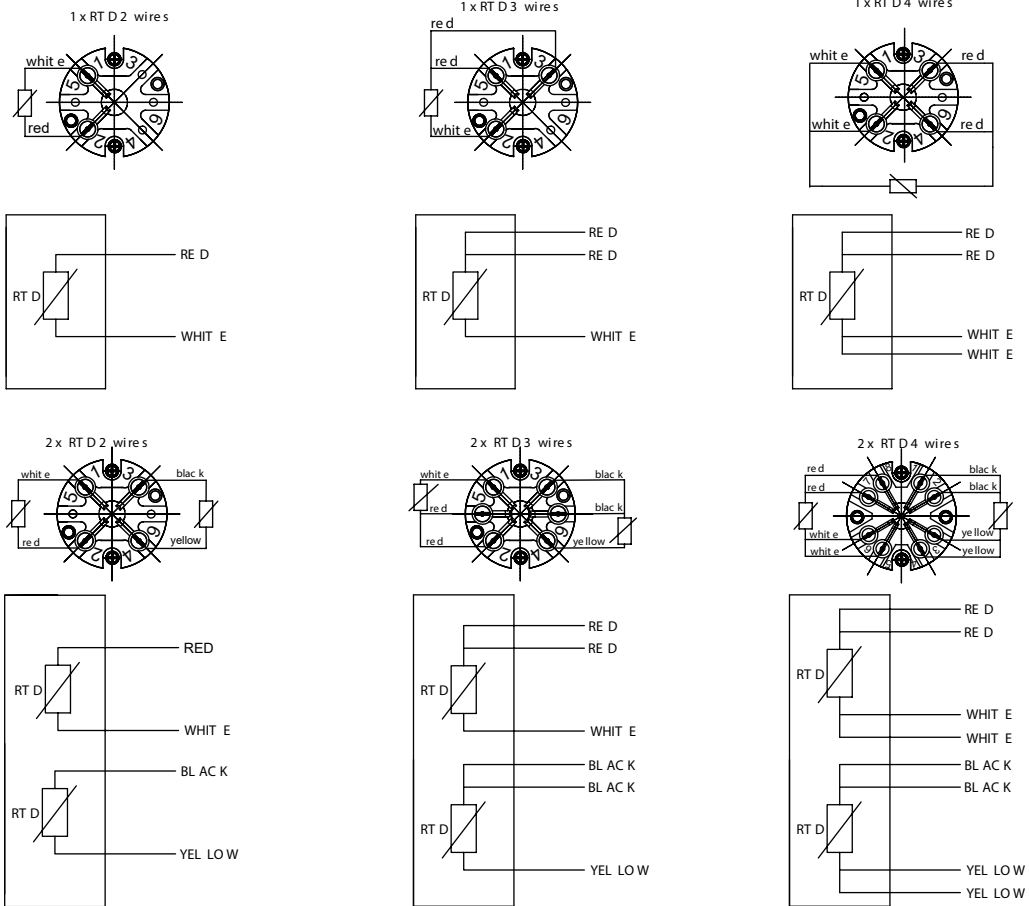


ABLH-C: Aluminium Die Cast Head TYPE B with process connection on tube





Thermoresistance (RTD). Color code according to DIN EN 60751



Thermocouple. Color code according to EN 60584-1



ABLH

ORDER CODE



ANALYSIS LTD

ORDER CODE FOR ABLH

ALUMINIUM DIE CAST HEAD

ABLH-A	A								
ABLH-B	B								
ABLH-C	C								

SENSOR ELEMENT: THERMORESISTANCE (RTD) OR THERMOCOUPLE

1xPT100 Class B - 2 Wires DIN EN 60751	1								
1xPT100 Class B - 3 Wires DIN EN 60751	2								
1xPT100 Class B - 4 Wires DIN EN 60751	3								
2xPT100 Class B - 4 Wires DIN EN 60751	4								
2xPT100 Class B - 6 Wires DIN EN 60751	5								
2xPT100 Class B - 8 Wires DIN EN 60751	6								
1xPT1000 Class B - 2 Wires DIN EN 60751	7								
1xPT1000 Class B - 3 Wires DIN EN 60751	8								
1xPT1000 Class B - 4 Wires DIN EN 60751	9								
2xPT1000 Class B - 4 Wires DIN EN 60751	10								
2xPT1000 Class B - 6 Wires DIN EN 60751	11								
2xPT1000 Class B - 8 Wires DIN EN 60751	12								
1xTYPE K (NiCr-NiAl) Class 1 EN60584-1	1K								
2xTYPE K (NiCr-NiAl) Class 1 EN60584-1	2K								

ELEMENT

EXCHANGEABLE ELEMENT				Y					
NO EXCHANGEABLE ELEMENT				N					

TEMPERATURE RANGE

-50C to 200C (element sensor RTD)					RL				
-50C to 700C (element sensor RTD)					RH				
0C to 800C (element sensor Thermocouple)					T				
0C to 1100C (element sensor Thermocouples)					TH				

LENGTH L[mm ±1]

From 50mm to 250mm					---				
OTHER LENGTH L[mm] ON REQUEST					XXX				

PROTECTION SHEATH MATERIAL

AISI 304						4			
AISI 316						6			
AISI 310 (0C to 1100C)						0			

DIAMETER D[mm]

6								6	
7								7	
8								8	
10								10	
12								12	
15								15	
16								16	

COMPRESSION FITTING

WITHOUT COMPRESSION FITTING									0
G1/2"									G12
G3/4"									G34
M24x1.5									M24
M27x1.5									M27
OTHER COMPRESSION FITTING ON REQUEST									XXX

PROCESS CONNECTION

WITHOUT PROCESS CONNECTION									0
G1/2"									G12
G3/4"									G34
M24x1.5									M24
M27x1.5									M27
OTHER PROCESS CONNECTION ON REQUEST									XXX

ORDERING EXAMPLE: ABLH-A-2-Y-RH-100-4-15-G34-0

Delta Velestino, 375 00 Magnesia, Greece tel. 0030 2425024248

www.analysis-ltd.com.gr

Version: ABLH.6-22

Analysis Ltd can accept no responsibility for errors in datasheets, catalogues and other electronic or printed materials. Analysis Ltd reserves the right to change specifications without notice. All trademarks in this material are property of Analysis Ltd. Copyright© 2017 Analysis Ltd. All rights reserved.

