

APPLICATIONS

Flow Switch to signal Alarm

Indication or Control for level measurement

Suitable for water , oil and chemical environments

FEATURES

Multi-point measurement with a float by adoption of "Self Holding System"

Reed Switch contact

Protection sheath material AISI304 or AISI316

Float material: AISI316

Flange material: AISI304 or AISI316

Die Cast Aluminium head TYPE B or connector DIN EN 175301-0803

SPECIFICATIONS

Max contact rating is 50VA AC

Max switching voltage is 250V AC

Max switching current is 0.5A

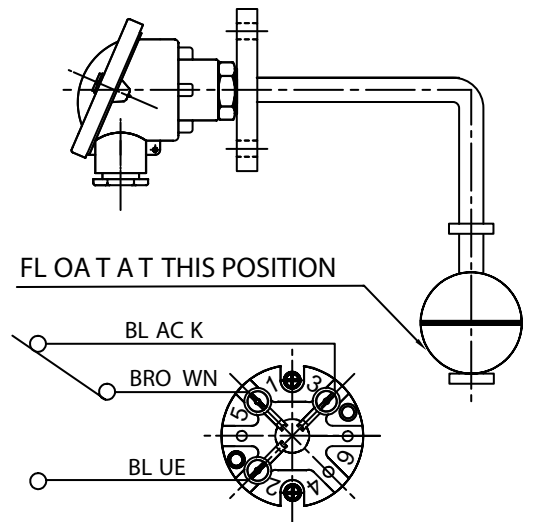
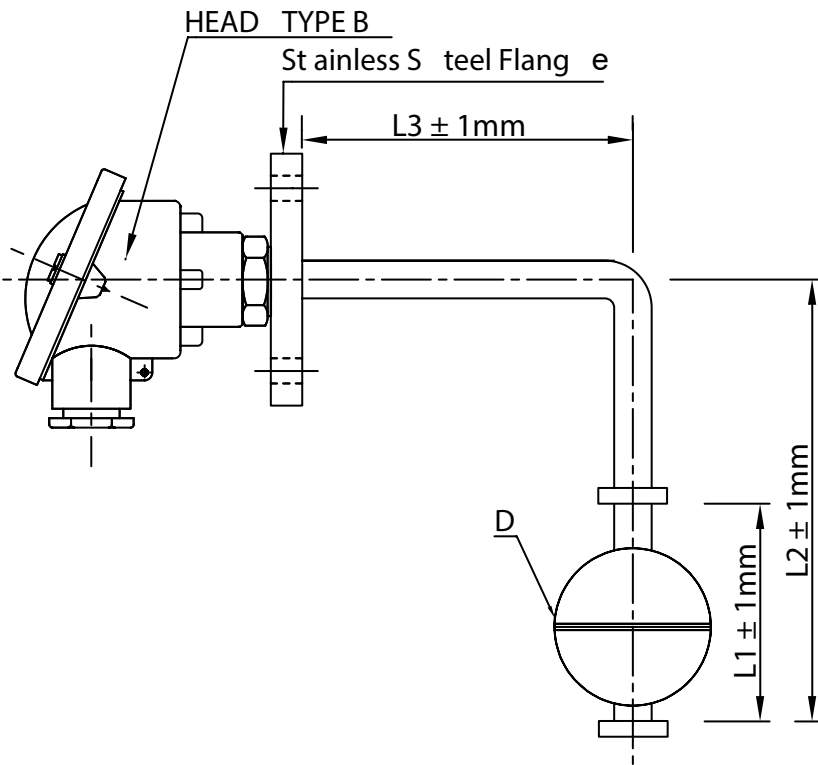
Working Temperature -30C to 80C





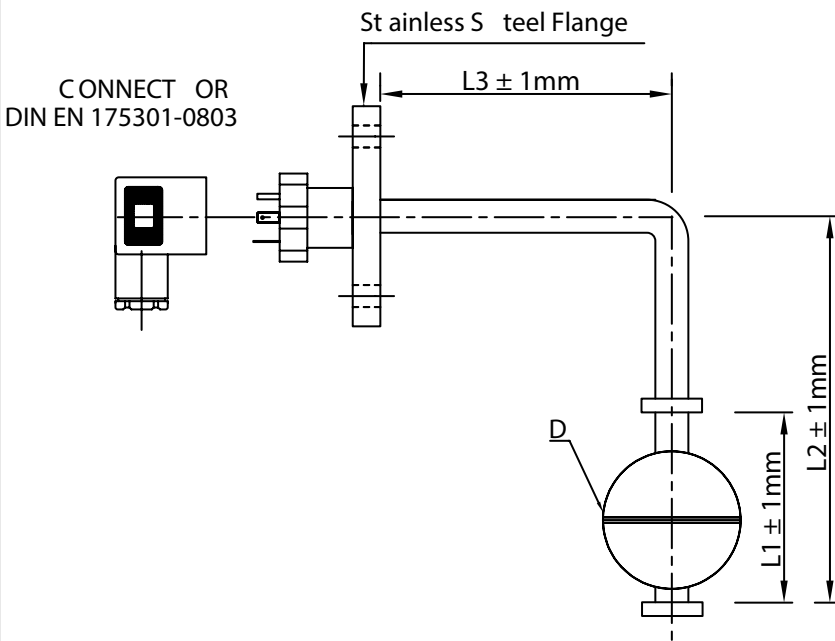
DRAWING OF FL1-B (ALUMINIUM HEAD TYPE B)

ELECTRICAL CONNECTION

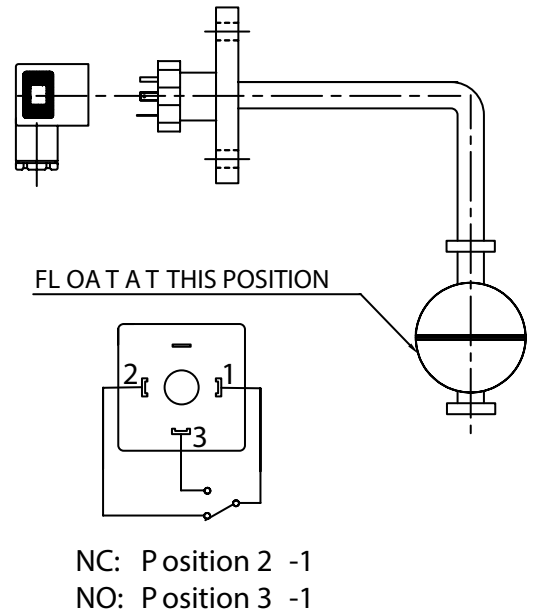




DRAWING OF FL1-C (CONNECTOR DIN EN 175301-0803)



ELECTRICAL CONNECTION



FL1

ORDER CODE



ANALYSIS LTD

ORDER CODE FOR FL1

FORM									
DIE CAST ALUMINIUM HEAD TYPE B	B								
CONNECTOR DIN EN 175301-0803	C								
FLANGE									
10K JIS sige 40 (material AISI304)		10KJIS40							
DIN2526 PN16 sige 25 (material AISI316)		PN16S25							
OTHER FLANGE ON REQUEST		XXX							
FLANGE MATERIAL									
AISI 304				4					
AISI 316				6					
LENGTH L1[mm ±1]									
100mm						100			
OTHER LENGTH L1[mm] ON REQUEST						XXX			
LENGTH L2[mm ±1]									
200mm							200		
OTHER LENGTH L2[mm] ON REQUEST							XXX		
LENGTH L3[mm ±1]									
100mm								100	
OTHER LENGTH L3[mm] ON REQUEST								XXX	
PROTECTION SHEATH MATERIAL									
AISI 304									4
AISI 316									5
DIAMETER D[mm]									
-50mm									50
OTHER DIAMETER D[mm] ON REQUEST									XXX

ORDERING EXAMPLE: FL1-B-10KJIS40-4-100-200-100-4-50

Delta Velestino, 375 00 Magnesia, Greece tel. 0030 2425024248

www.analysis-ltd.com.gr

Version: FL1.19-02-17

Analysis Ltd can accept no responsibility for errors in datasheets, catalogues and other electronic or printed materials. Analysis Ltd reserves the right to change specifications without notice. All trademarks in this material are property of Analysis Ltd. Copyright© 2017 Analysis Ltd. All rights reserved.



Certificate No: PIR6046243

Analysis Ltd applies a certified ISO: 9001 quality management system.