



AS9100D quality system

# PRESSURE TRANSMITTER





**APPLICATIONS**

- Marine and Industrial applications
- Exhaust gas from diesel engines
- Oil and gas , Fuel tank
- LNG and LPG
- Hydrogen , pressurized tank
- Machine building
- Oil lubrication and hydraulic oil
- Pneumatic systems
- Cooling water and refrigeration plants
- Pumps
- Balast tank

**FEATURES**

- Reliable and accurate pressure measurement
- Measuring ranges from -1 to 9 bar, to 0 to 600bar other on request
- Accuracy (non-linearity) ≤ 0.5 % of span
- Working temperature -40 to 85C connector version
- Working temperature -40 to 70C cable version
- Supply voltage 11 to 28VDC
- Output 4 to 20mA
- Process Connection G1/4", G1/2", NPT1/2", NPT1/4, 7/16-20UNF, F250C
- On request two pressure points test certificate
- Stainless steel material AISI316, Inconel 718, Hastelloy C276 other on request
- One piece one sensor design
- Designed for harsh environments
- 500VAC tested

**APPROVALS AND CERTIFICATIONS**

- ATEX (Certificate number = Ex Veritas 21ATEX0865X)
- IECEX (Certificate number = IECEX EXV 21.0037X)
- ATEX and IECEX certified Zone 0 and Zone 20 Category 1
- IIIG Ex ia IIC T4 Ga
- IIID Ex ia IIIC T200 107°C Da
- Type approval Lloyd's Register(Cert. number=LR22230526TA)

**TEMPERATURE SPECIFICATIONS**

Media temperature cable version	-40 to 80 C
Media temperature connector version	-40 to 80 C
Storage temperature cable version	-40 to 70 C
Storage temperature connector version	-40 to 80 C
Max temperature cable version	70 C
Max temperature connector version	80 C

**OPERATION CONDITIONS**

Shock Resistance	2-13.2Hz at 3 1mm and from 13.2-100Hz at 0.7g
Vibration Resistance	2-25Hz at 3 1mm and from 25-100Hz at 4.0g

**ELECTRICAL SPECIFICATIONS**

Supply voltage	11 to 28 VDC	
Output	4...20 mA	(2 wires connection)

**IP PROTECTION**

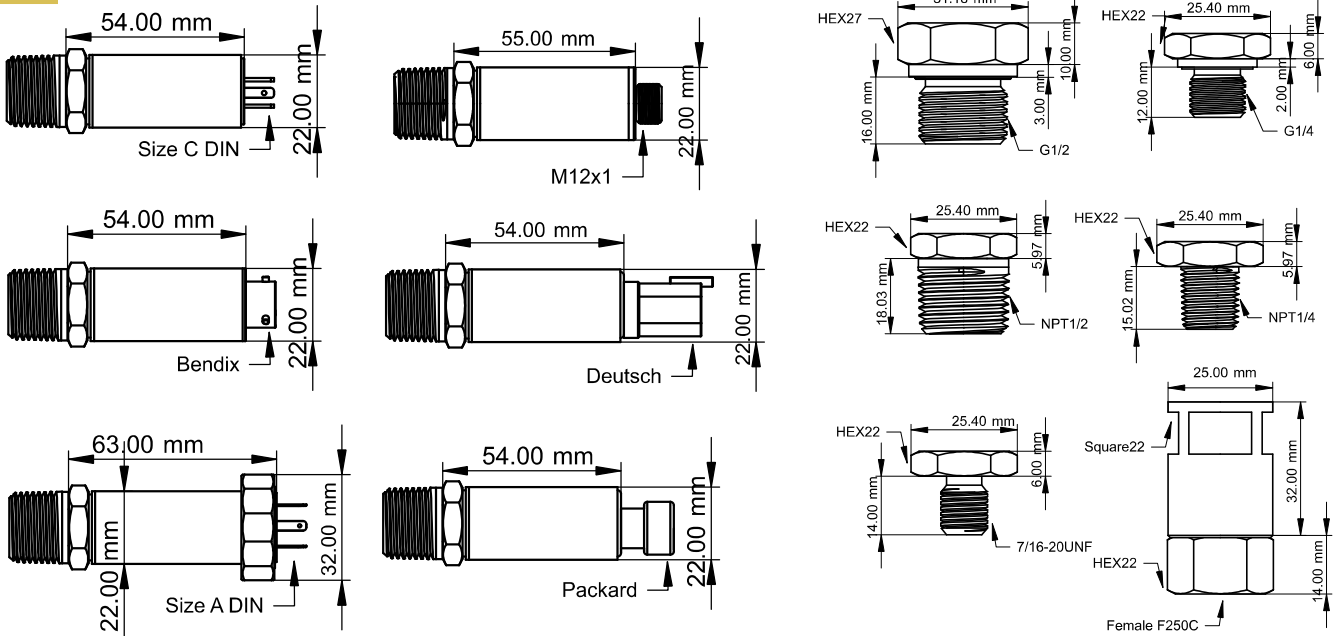
For all connector versions	IP66
For cable version	IP68 3bar



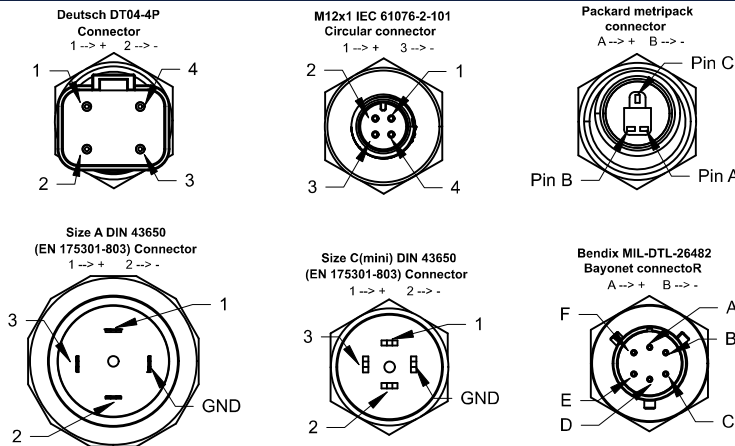




DIMENSIONS ACCORDING TO ELECTRICAL CONNECTORS AND THREADS



ELECTRICAL CONNECTIONS





### INTRINSICALLY SAFE BARRIER CONNECTION

Sensor must not exceed upper or lower limits of the barrier of the entity parameters (following conditions must be satisfied):

Checking of the voltage:  $U_o$  (barrier)  $\leq$   $U_i$  (sensor in hazardous area)

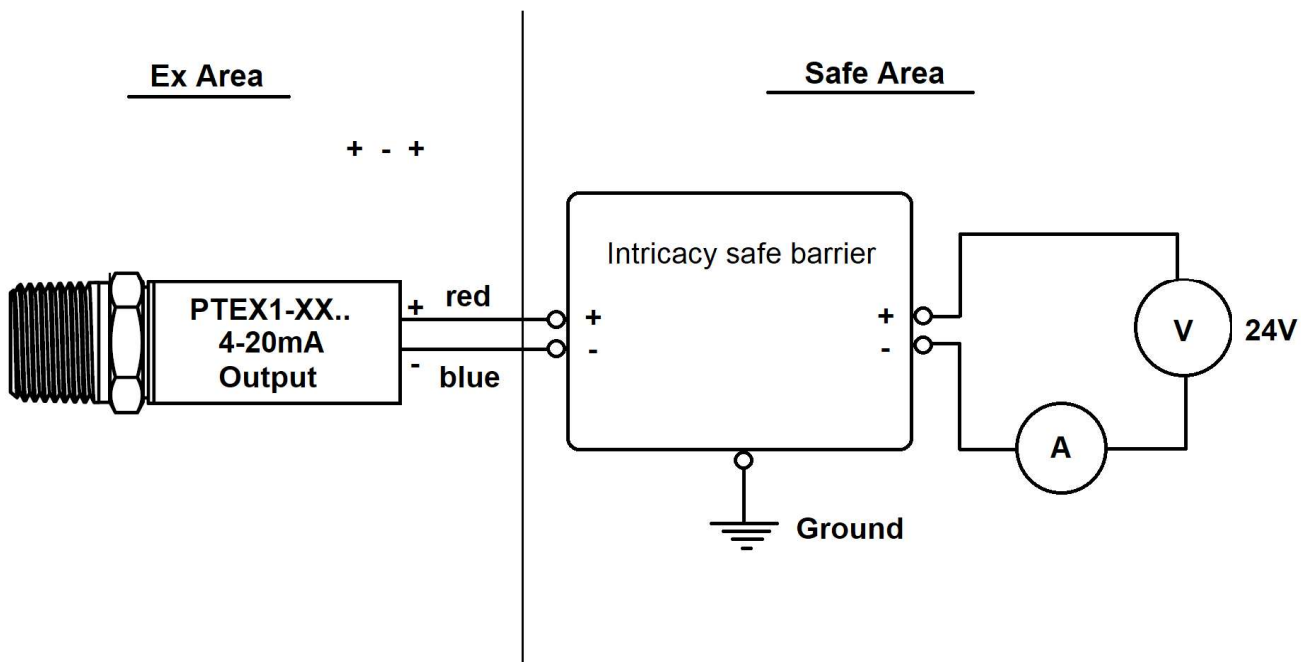
Checking of current:  $I_o$  (barrier)  $\leq$   $I_i$  (sensor in hazardous area)

Checking of power:  $P_o$  (barrier)  $\leq$   $P_i$  (sensor in hazardous area)

Checking of capacitance:  $C_c$  (cable) +  $C_i$  (sensor in hazardous area)  $\leq$   $C_o$  (barrier)

Checking of inductance:  $L_c$  +  $L_i$  (sensor in hazardous area)  $\leq$   $L_o$  (barrier)

Entity parameters: Please see at page 3





ORDER CODE FOR PTEX1

ELECTRICAL CONNECTION CHOISE

Connector	CO						
Cable	CA						

ELECTRICAL CONNECTION

Size A DIN 43650 (EN 175301-803) Connector	SAD						
Size C(mini) DIN 43650 (EN 175301-803) Connector	SCD						
Packard metripack 150 connector	PAC						
Deutsch DT04-4P	DEU						
M12x1 IEC 61076-2-101 Circular connector	M12						
Bendix MIL-DTL-26482 Bayonet connector	BEN						
Other connector on request	XXX						

OUTPUT

4...20 mA (2 wires connection)				420A			
--------------------------------	--	--	--	------	--	--	--

PRESURE UNITS

Bar					B		
PSI					P		
Other pressure unit on request					-		

PRESURE RANGES

-1 to 0 bar					V100		
0 to 1 bar					0001		
0 to 5 psi					0005		
Other pressure reanges on request					----		

Wetted parts Material

AISI 316						6	
Inconel 718						INC	
Hastelloy C276						HAS	
Other material on request						---	

PROCESS CONNECTION

G1/4"							G14
G1/2"							G12
NPT1/4"							N14
NPT1/2"							N12
7/16-20UNF							716U
F250C							F25
Other connection on request							XXX

ORDERING EXAMPLE 1: PTEX1-CO-SAD-420A-B-0010-6-N12

Pressure transmitter with 0-10bar range, 4-20mA output, Size A DIN 43650 (EN 175301-803) Connector, wated parts material AISI316 and process connection NPT1/2"