



TSC

APPLICATIONS

APPLICATIONS

- Food Industry
- Industrial applications
- Laboratory applications

FEATURES

Reliable and accurate measurement with thermoresistance (RTD) element, single or double. Class B / Class A / Class 1/3DIN

Reliable and accurate measurement with thermocouple element, single or double

Protection sheath material AISI304 / AISI316 / AISI 316Ti with a wide range of diameters

Wide range of cables:

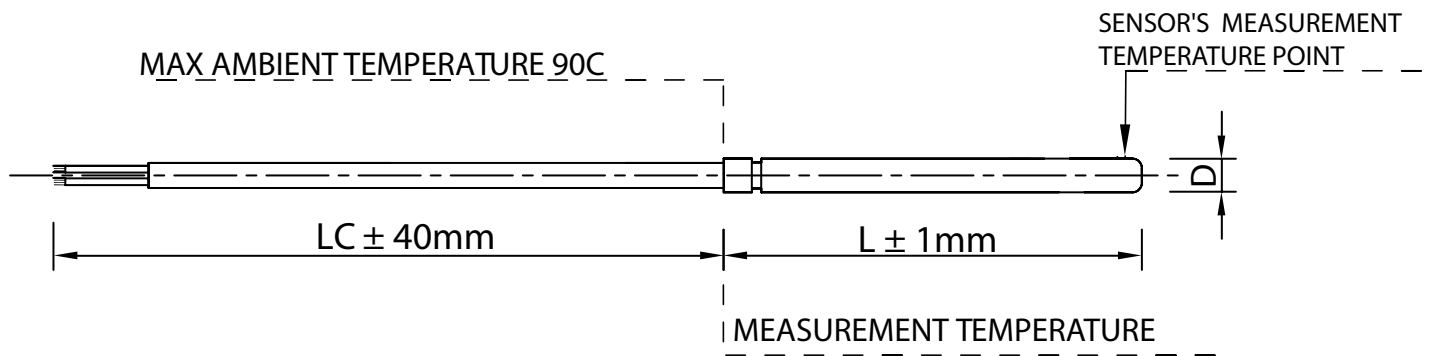
- PVC / PVC (-10C to 105C)
- Silicon / Silicon (-60C to 200C)
- PTFE / PTFE (-10C to 260C)
- PTFE / PTFE / Screen (-10C to 260C)
- PTFE / Screen / PTFE (-10C to 260C)
- Glass Fiber / Glass Fiber / Screen (0C to 400C)

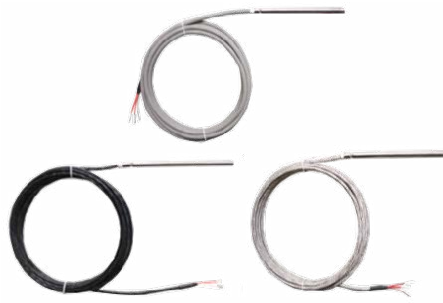
Max ambient temperature 90C



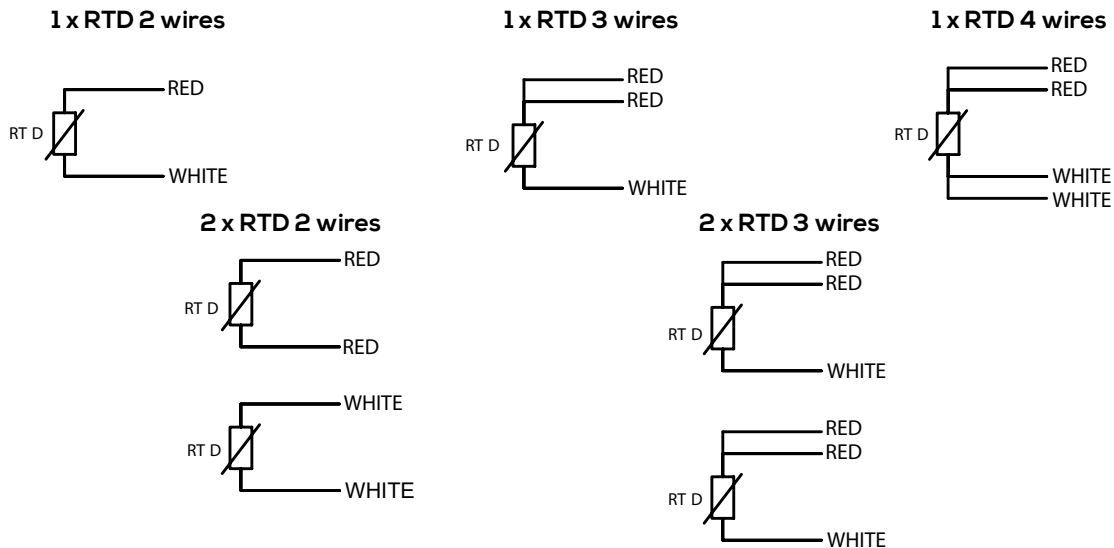


TSC: Temperature sensor with cable

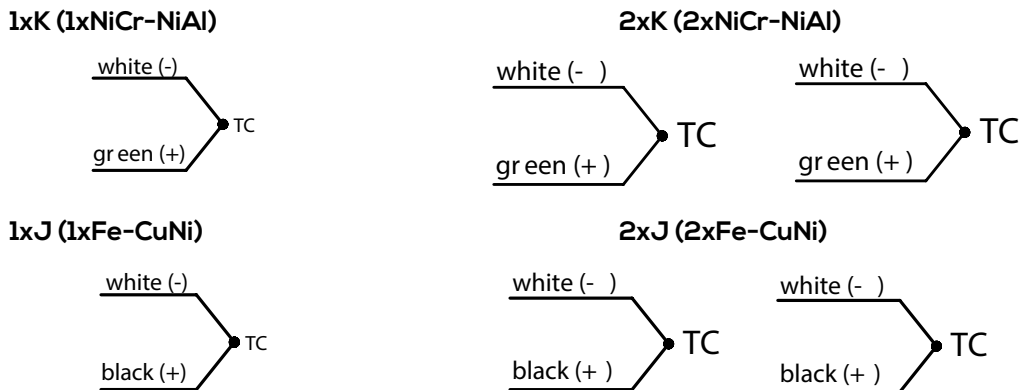




Thermoresistance. Cable Color code according to DIN EN 60751

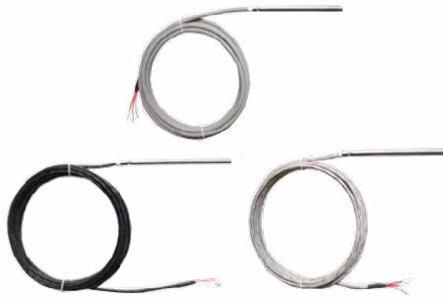


Thermocouple. Color code according to EN 60584-1



TSC

ORDER CODE



ANALYSIS LTD

ORDER CODE FOR TSC

SENSOR ELEMENT: THERMORESISTANCE (RTD) OR THERMOCOUPLE

1xPT100 - 2 Wires DIN EN 60751	1								
1xPT100 - 3 Wires DIN EN 60751	2								
1xPT100 - 4 Wires DIN EN 60751	3								
2xPT100 - 2 Wires DIN EN 60751	4								
2xPT100 - 2 Wires DIN EN 60751	5								
1xPT1000 - 2 Wires DIN EN 60751	6								
1xPT1000 - 3 Wires DIN EN 60751	7								
1xPT1000 - 4 Wires DIN EN 60751	8								
2xPT1000 - 2 Wires DIN EN 60751	9								
2xPT1000 - 3 Wires DIN EN 60751	10								
1xTYPE K (NiCr-NiAl) Class 1 EN60584-1	1K								
2xTYPE K (NiCr-NiAl) Class 1 EN60584-1	2K								
1xTYPE J (Fe-CuNi) Class 1 EN60584-1	1J								
2xTYPE J (Fe-CuNi) Class 1 EN60584-1	2J								

PROTECTION SHEATH MATERIAL

AISI 304								4	
AISI 316								6	
AISI 316Ti								6T	

OTHER PROTECTION SHEATH MATERIAL ON REQUEST

RTD CLASS [For thermoresistance elements]

Class B									B
Class A									A
Class 1/3DIN									13

DIAMETER D [mm]

4.0									4
5.0									5
6.0									6
6.35									6.35
7.0									7
8.0									8

OTHER DIAMETER D[mm] ON REQUEST

LENGTH L[mm ±1]

From 200mm to 1000mm									---
----------------------	--	--	--	--	--	--	--	--	-----

OTHER LENGTH L[mm] ON REQUEST

XXX

CABLE LENGTH LC[mm ±40]

From 500mm to 10.000mm									---
------------------------	--	--	--	--	--	--	--	--	-----

OTHER CABLE LENGTH LC[mm] ON REQUEST

XXX

CABLE MATERIAL

PVC/PVC (-10C to 105C)									PV
Silicon / Silicon (-60C to 200C)									SS
PTFE/PTFE (-60C to 260C)									PT
PTFE/PTFE/Screen (-60C to 260C)									PPS
PTFE/Screen/PTFE (-60C to 260C)									PSP
Glass Fiber/Glass Fiber/Screen (0C to 400C)									GF
OTHER CABLE MATERIAL ON REQUEST									XXX

ORDERING EXAMPLE: TSC-3-4-B-5-100-2000-PT

www.analysis-ltd.com.gr

Delta Velestino, 375 00 Magnesia, Greece tel. 0030 2425024248

Version: TSC.1.7-22

Analysis Ltd can accept no responsibility for errors in datasheets, catalogues and other electronic or printed materials. Analysis Ltd reserves the right to change specifications without notice. All trademarks in this material are property of Analysis Ltd. Copyright© 2017 Analysis Ltd. All rights reserved.

